



15F2828

# MD80-88-90 / DC9 / B717 Towbar



Building Quality Ground Support Products Since 1961

- Main frame constructed of structural tubing
- 4" cushioned swivel lunette towing eye
- Fully retractable hydraulic undercarriage for adjustable height
- Towbar is shear bolt designed to protect aircraft nosegear
- Skid plate behind towing eye keeps towing eye from striking ground
- Safety lock system to avoid separation from aircraft
- Epoxy powder coated per customer color
- Solid tires
- Optional pneumatic tires

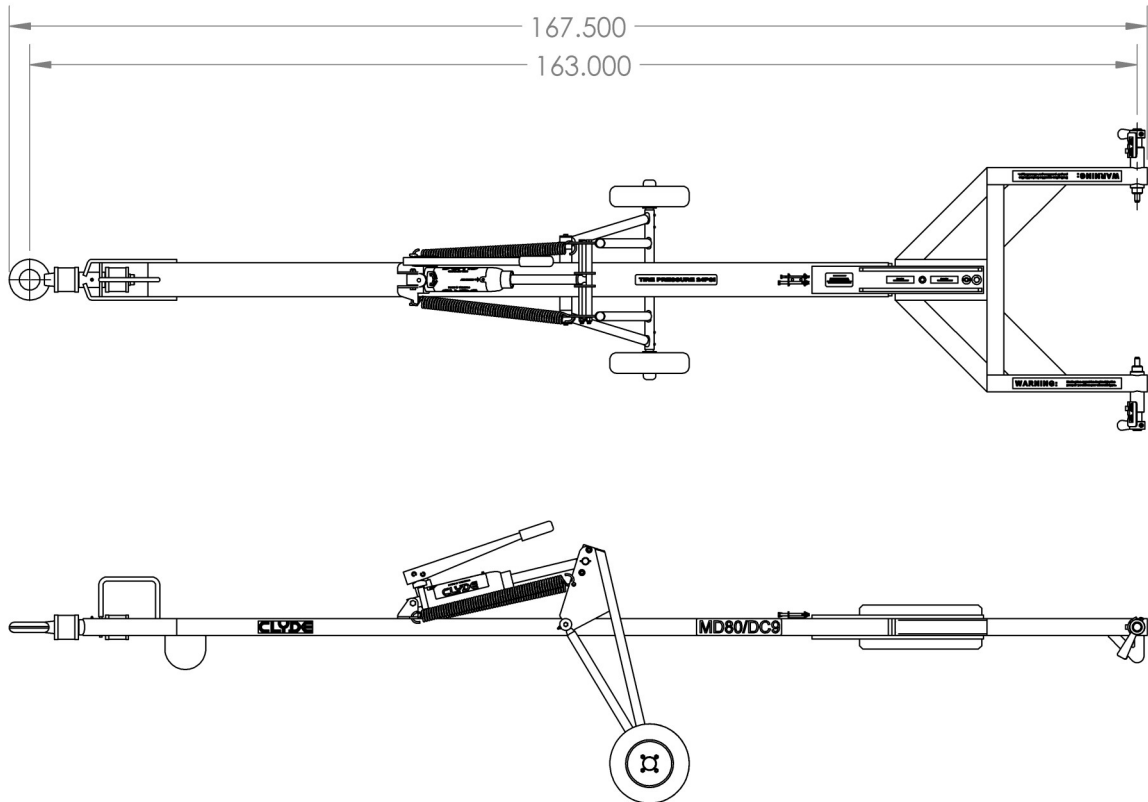
# CLYDE

Clyde Machines  
P.O. Box 194  
1150 Hwy 55 N.  
Glenwood, MN 56334 USA  
(320) 634-4504  
(320) 634-4506 Fax

[www.clydemachines.com](http://www.clydemachines.com)

**15F2828**

# MD80-88-90 / DC-9 / B717 Towbar



## Shipping Information

- Shipping Dimensions:
  - 382 lbs.
  - Length — 168"
  - Width — 42"
  - Height — 20"

**CLYDE**

**Clyde Machines**  
P.O. Box 194  
1150 Hwy 55 N.  
Glenwood, MN 56334 USA  
(320) 634-4504  
(320) 634-4506 Fax

[www.clydemachines.com](http://www.clydemachines.com)