



15F2511

B-717 / MD80-88-90 / DC9 Towbar



Building Quality Ground Support Products Since 1961

- Main frame constructed of structural tube
- 4" swivel lunette towing eye
- Towbar is shear bolt designed to protect aircraft nosegear
- Small caster behind towing eye keeps towing eye from striking ground
- Epoxy powder coated per customer color
- Solid tires
- Optional pneumatic tires

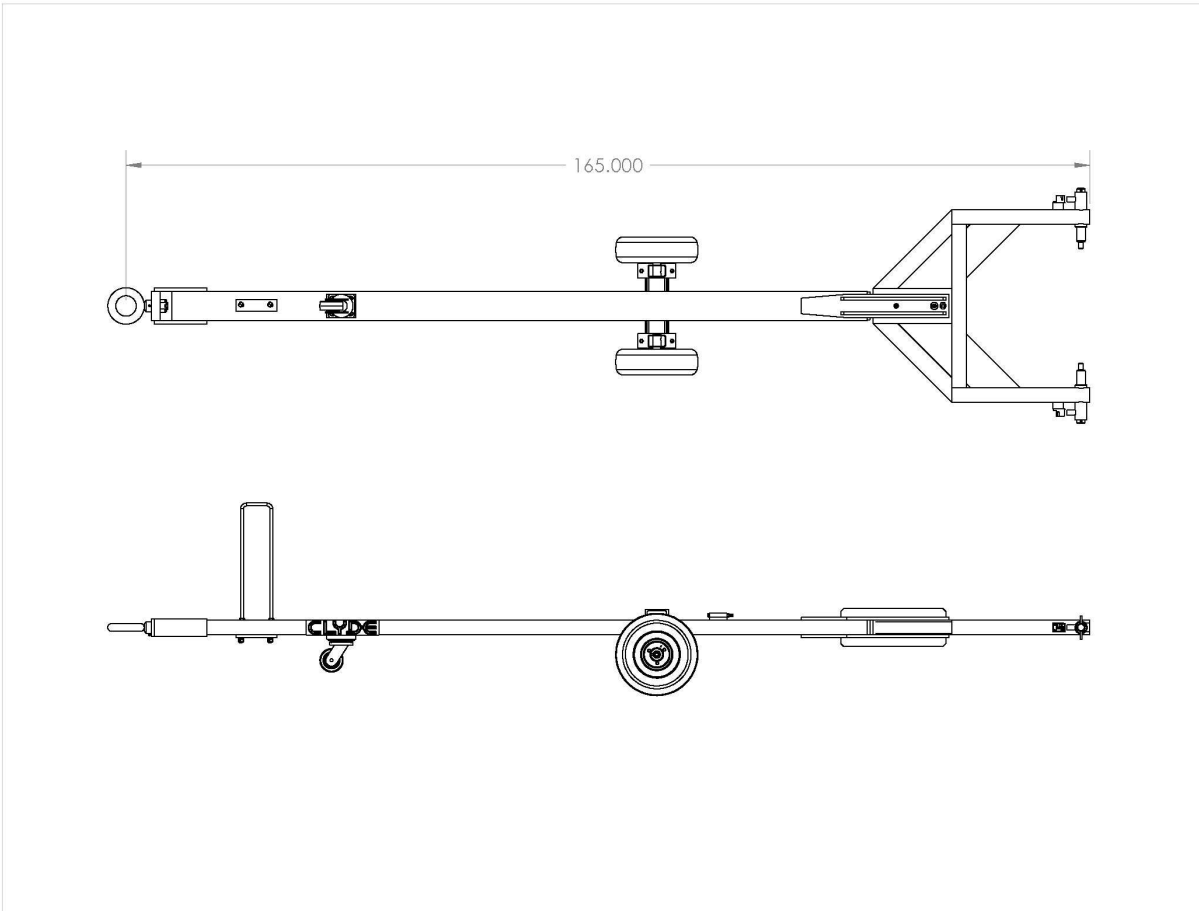
CLYDE

Clyde Machines
P.O. Box 194
1150 Hwy 55 N.
Glenwood, MN 56334 USA
(320) 634-4504
(320) 634-4506 Fax

www.clydemachines.com

15F2511

B-717 / MD80-88-90 / DC9 Towbar



Shipping Information

- Shipping Dimensions:
 - Weight — 300 lbs.
 - Length — 165"
 - Width — 42"
 - Height — 12"

CLYDE

Clyde Machines
P.O. Box 194
1150 Hwy 55 N.
Glenwood, MN 56334 USA
(320) 634-4504
(320) 634-4506 Fax

www.clydemachines.com