



15F3165

A318 A319 A320 A321 Towbar



Building Quality Ground Support Products Since 1961

- 8" x 15' high strength aluminum tube
 - Fully retractable hydraulic running gear for adjustable height
 - Safety lock system to avoid separation from aircraft
 - Durable powder coat paint
 - Quality shear bolts for aircraft protection
 - Extra set of shear bolts included
 - Solid tires
- Optional:
- Pneumatic tires
 - Foam filled tires



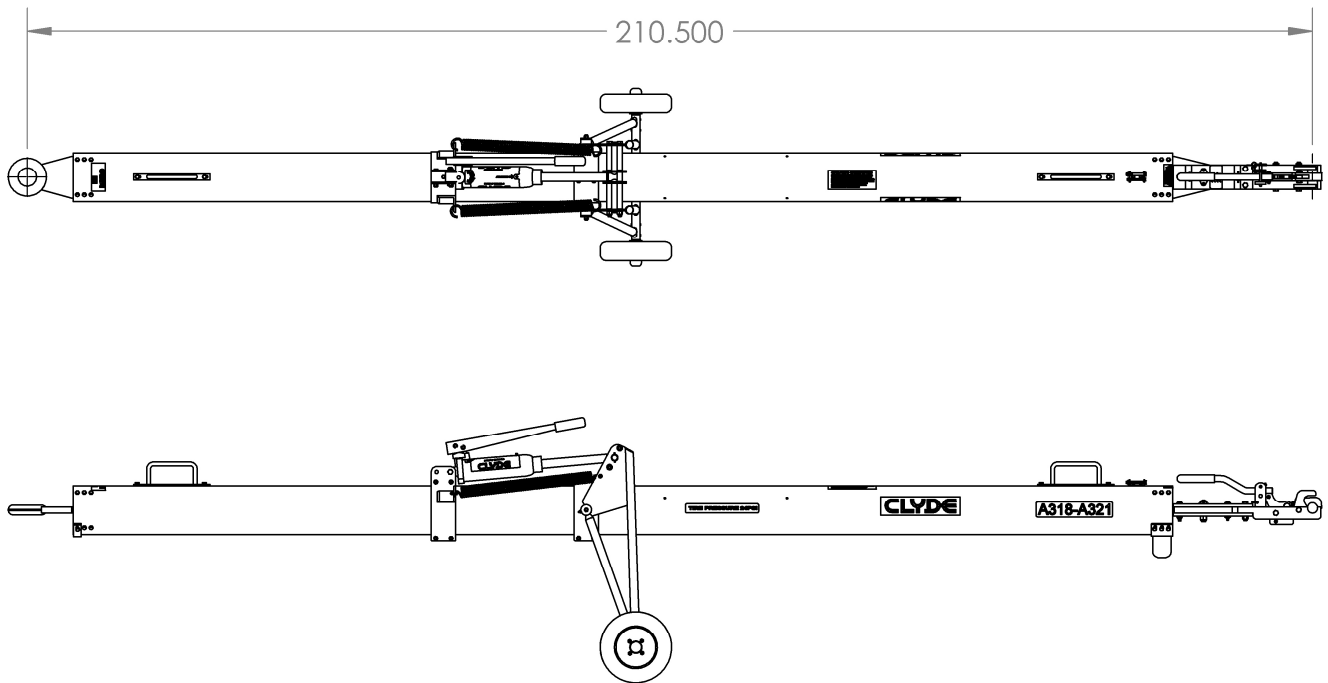
CLYDE

Clyde Machines
P.O. Box 194
1150 Hwy 55 N.
Glenwood, MN 56334 USA
(320) 634-4504
(320) 634-4506 Fax

www.clydemachines.com

15F3165

A318 A319 A320 A321 Towbar



Shipping Information

Shipping Weight

- 350 lbs.

Crated Weight

- 730 lbs.

Shipping Dimensions

- Length — 212"
- Width — 29"
- Height — 25"

Crated Dimensions

- Length— 217"
- Width— 26"
- Height— 27"

CLYDE

Clyde Machines

P.O. Box 194
1150 Hwy 55 N.
Glenwood, MN 56334 USA
(320) 634-4504
(320) 634-4506 Fax

www.clydemachines.com