



15F3060

# Maintenance Stand



Building Quality Ground Support Products Since 1961

- An updated, improved version of the long time standard B-4 used by the Military
- Foot actuated hydraulic pump
- 8" Heavy duty swivel casters with brakes and swivel locks
- Working height of 36"-86"
- Platform size of 30" x 76"
- 500 lb capacity
- Epoxy powder coat per customer color

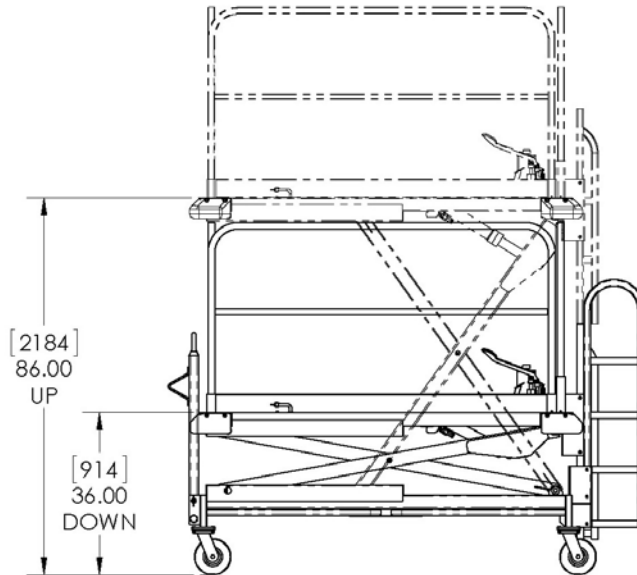
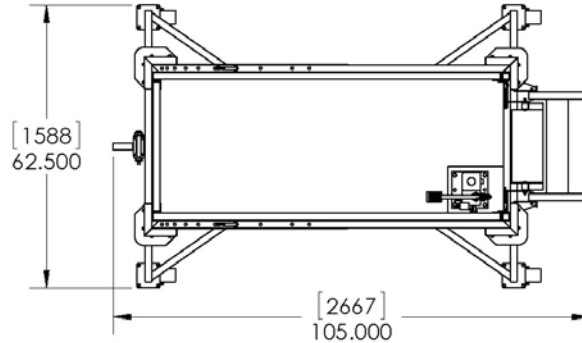
# CLYDE

**Clyde Machines**  
P.O. Box 194  
1150 Hwy 55 N.  
Glenwood, MN 56334 USA  
(320) 634-4504  
(320) 634-4506 Fax

[www.clydemachines.com](http://www.clydemachines.com)

15F3060

# Maintenance Stand



## Shipping Information

- Weight - 1000 lbs
- Length - 105"
- Width - 63"
- Height - 78"

# CLYDE

**Clyde Machines**  
P.O. Box 194  
1150 Hwy 55 N.  
Glenwood, MN 56334 USA  
(320) 634-4504  
(320) 634-4506 Fax

[www.clydemachines.com](http://www.clydemachines.com)