



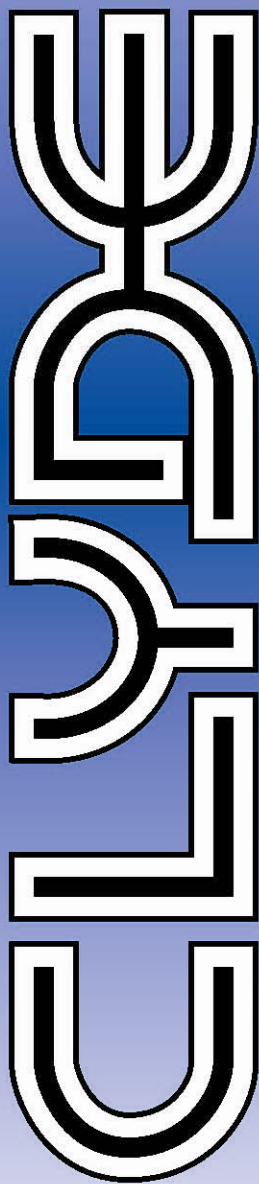
15F2945

Access Stand



Building Quality Ground Support Products Since 1961

- Durable powder coat finish
- 46.75" high to the top step
- Swivel casters with brakes
- Separate floor locks
- Meets OSHA specifications



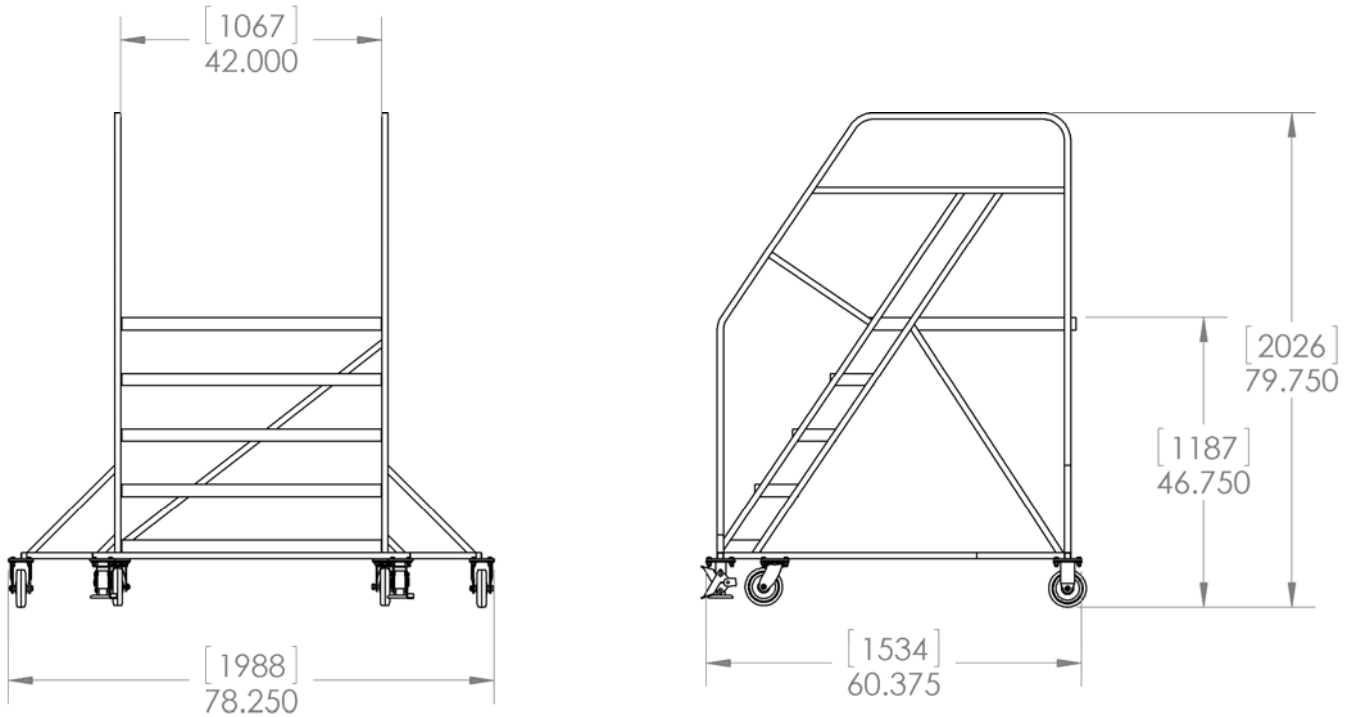
CLYDE

Clyde Machines
P.O. Box 194
1150 Hwy 55 N.
Glenwood, MN 56334 USA
(320) 634-4504
(320) 634-4506 Fax

www.clydemachines.com

15F2945

Access Stand



Shipping Information

- Weight - 200 lbs
- Length - 61.5"
- Width - 78.5"
- Height - 80"

CLYDE

Clyde Machines
P.O. Box 194
1150 Hwy 55 N.
Glenwood, MN 56334 USA
(320) 634-4504
(320) 634-4506 Fax

www.clydemachines.com