



15F2959

Baggage Cart



Building Quality Ground Support Products Since 1961

- Automatic spring loaded brake
- Left or Right hand opening
- 12" diameter tires
 - Optional foam filled tire
- Galvanized shelves
- 900 lb capacity
- Optional corner bumpers
- Durable power coat finish

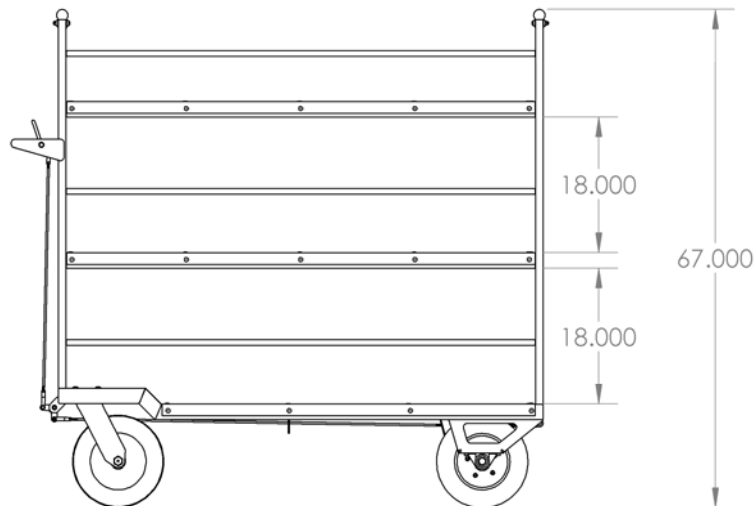
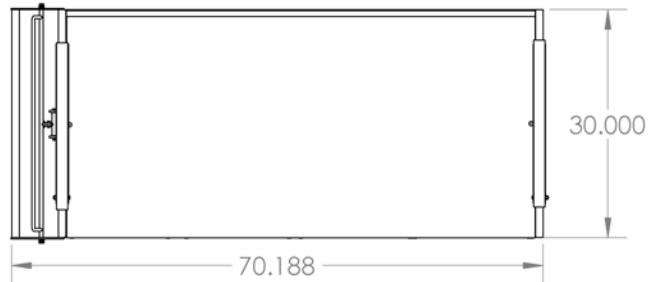
CLYDE

Clyde Machines
P.O. Box 194
1150 Hwy 55 N.
Glenwood, MN 56334 USA
(320) 634-4504
(320) 634-4506 Fax

www.clydemachines.com

15F2959

Baggage Cart



Shipping Information

- Shipping Dimensions
 - Weight - 350 lbs
 - Length - 71"
 - Width - 30"
 - Height - 67"

CLYDE

Clyde Machines
P.O. Box 194
1150 Hwy 55 N.
Glenwood, MN 56334 USA
(320) 634-4504
(320) 634-4506 Fax

www.clydemachines.com